

SERIES C3800

HORIZONTAL SLIDING WINDOW

The Columbia C3800 series is a heavy commercial sliding window available in four configurations with fixed lites either above or below depending on the size and glass weight. This system has been designed for the increasing water and air requirements needed in larger building structures. The C3800 window is available with a full receptor system for easy installation. Call your local Columbia sales representative for more information.



Features & Benefits Include:

- 4" System
- Thermally Broken System
- HC60 AAMA Rating
- 1/4" & 1" Glazing Options
- Factory Glazing Available
- Removable interior glazing stops
- White bronze hardware
- Full Complement of Screening Options
- Available as Impact Resistant
- Class I and Class II Anodizing
- Painted finishes available in fluoropolymer & Kynar based coatings to meet AAMA 2605

Horizontal Sliding System is available in the following configurations:

XO

OX

XOX

OXO

Performance Data

Air Performance .12@6.24 per ASTM E283

Water Performance 9 PSF per AAMA 501 & ASTM E331

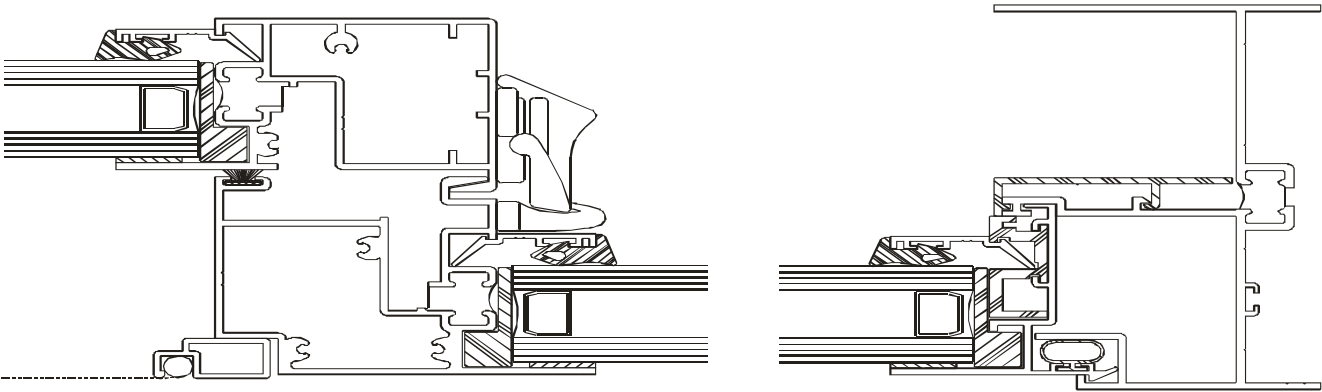
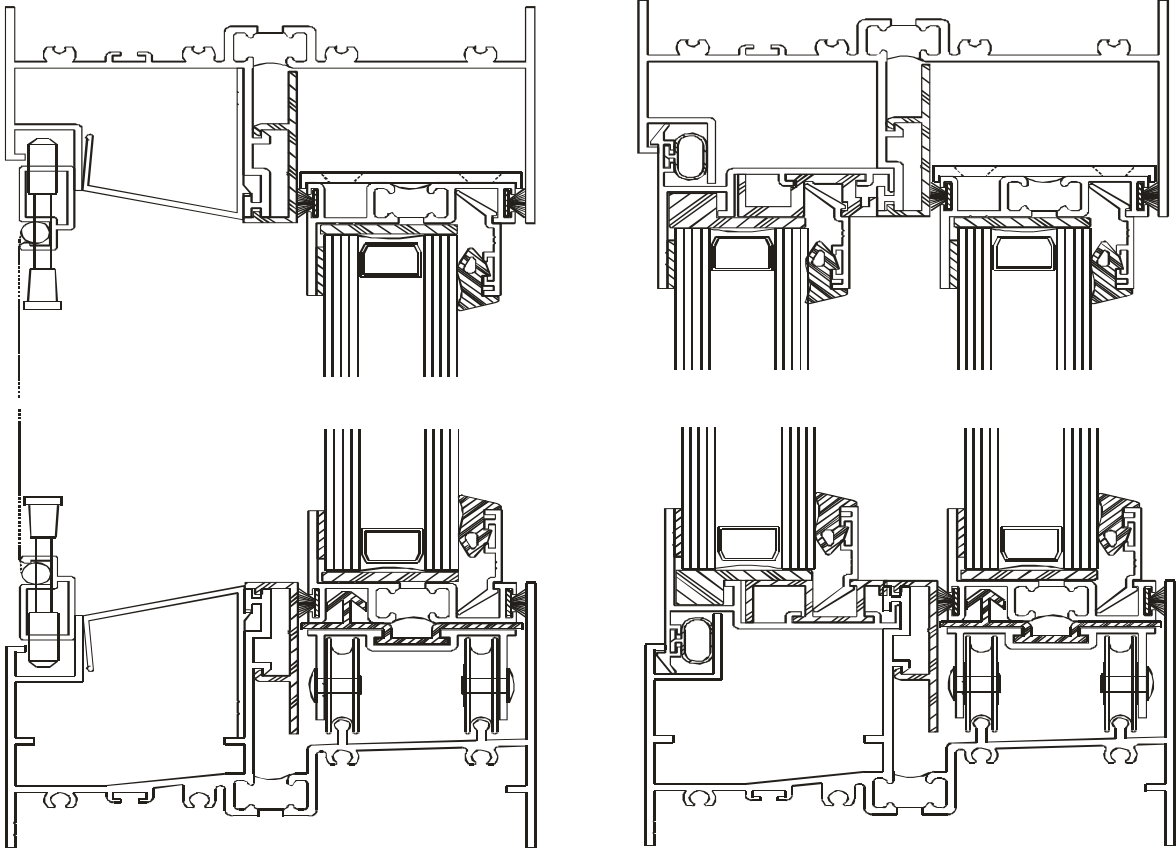
U-Value 0.46

CRF 60

Structural Performance per ASTM E330

*Tests conducted by independent laboratories
Full report available upon request

*Drawings not to scale



1200 Washington Street
Rockwall, Texas 75087
972-771-7100
800-668-1645 Fax 972-722-6033
www.ccbpwin.com
sales@ccbpwin.com