

## SERIES C6000 THERMALLY BROKEN HORIZONTAL SLIDER

The Columbia C6000 is a great choice when energy efficiency is critical to meet design criteria. This 4" thermally broken system utilizes heavy gauge roller and track for ease of use after installation. C6000 is rated HC-60 and is tested to 9'6" x 7'10" maximum. The C6000 is available in XO or OX configurations. All standard hardware is black unless specified otherwise. Call your local Columbia sales representative for more information.



The C6000 Horizontal Slider is available in XO & OX Configurations



### Features & Benefits Include:

- 4" System
- Thermally broken system
- Carries HC-60 AAMA rating
- Glazed by removable stop, not marine glazed
- Tested to 9'6" x 7'10" maximum
- Standard thumb turn lock on interior
- Keyed lock on exterior
- All hardware black unless otherwise specified
- Rolling screens available
- Class I and Class II Anodizing
- Painted finishes available in fluoropolymer & Kynar based coatings to meet AAMA 2605

### Performance Data

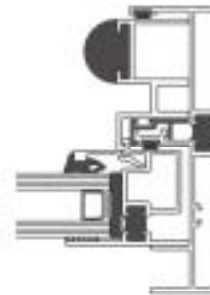
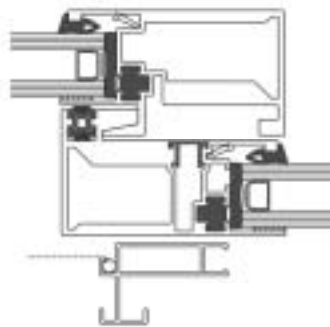
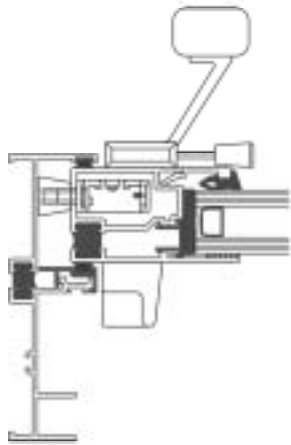
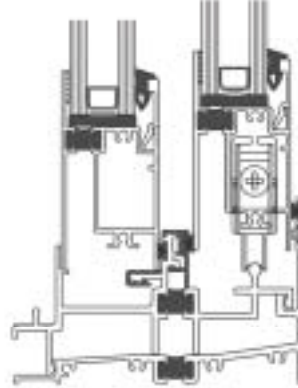
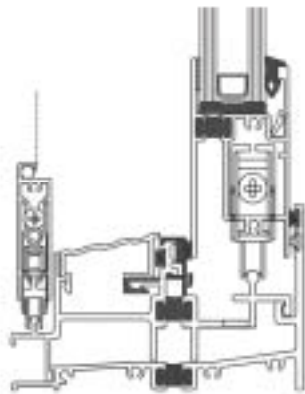
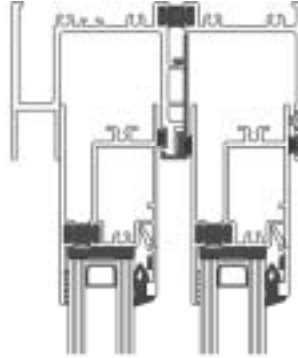
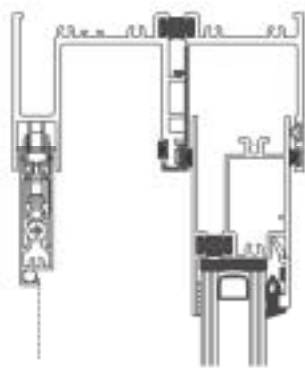
Air Performance per ASTM E283

Water Performance per AAMA 501  
& ASTM E331

Structural Performance per ASTM E330

\*Tests conducted by independent laboratories  
Full report available upon request

\*Drawings not to scale



1200 Washington Street  
Rockwall, Texas 75087  
972-771-7100  
800-668-1645 Fax 972-722-6033

[www.ccbpwin.com](http://www.ccbpwin.com)  
[sales@ccbpwin.com](mailto:sales@ccbpwin.com)