



# STOREFRONT SYSTEMS

Columbia Commercial Building Products offers a broad line of flush glaze storefront systems to meet your design requirements. Systems are offered a variety of depths and accept 1/4" and 1" glass. Identical EPDM gaskets are utilized on the interior and exterior of systems. Columbia systems are designed for flexibility. Call your local Columbia sales representative for more information.



## Features & Benefits Include:

- 1-3/4" x 3" System for 1/4" Glazing
- 1-3/4" x 4" System for 1/4" Glazing
- 1-3/4" x 4-1/2" System for 1/4" Glazing
- 2" x 4-1/2" System for 1" Glazing
- 2" x 4-1/2" Thermally Improved System
- Screw-Spline Assembly
- EPDM Gasketing
- Installation Manuals
- Door Framing Components Available
- Class I and Class II Anodizing
- Painted finishes available in fluoropolymer & Kynar based coatings to meet AAMA 2605



## Performance Data

Air Performance per ASTM E283

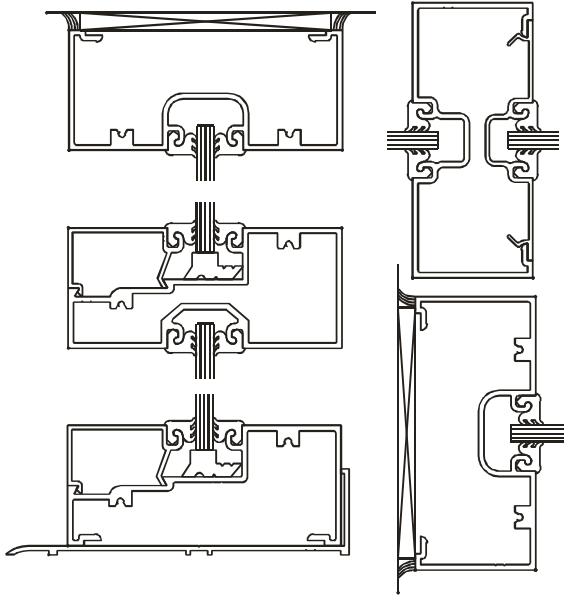
Water Performance per AAMA 501  
& ASTM E331

Structural Performance per ASTM E330

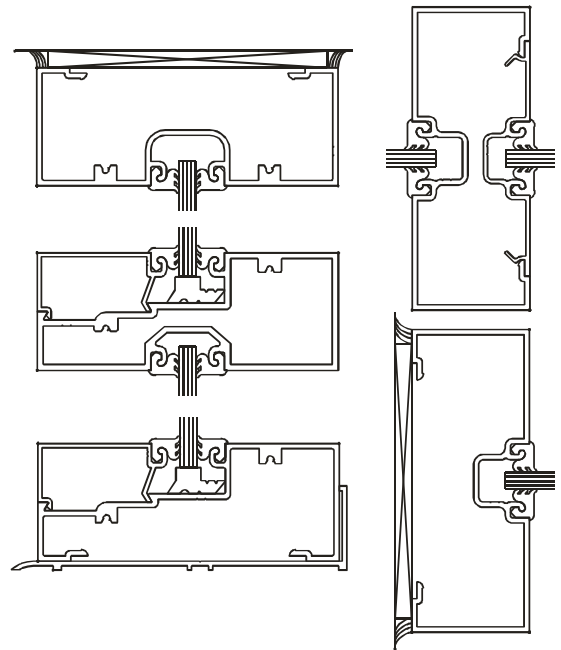
\*Tests conducted by independent laboratories  
Full report available upon request

\*\*Drawings Not to Scale

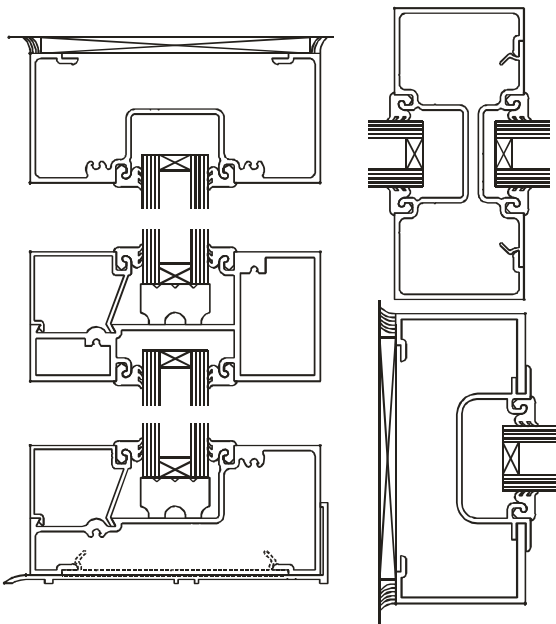
1-3/4" x 4" Flush Glaze System for 1/4" Glazing



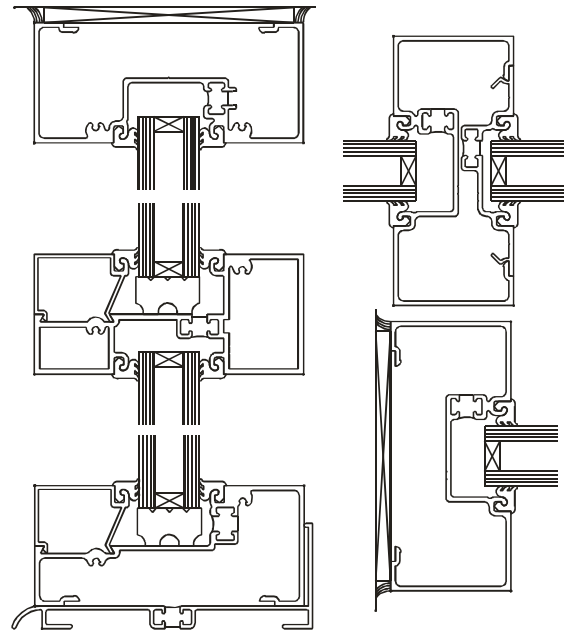
1 3/4" x 4 1/2" Flush Glaze System for 1/4" Glazing



2" x 4 1/2" Flush Glaze System for 1" Glazing



2" x 4 1/2" Thermal Flush Glaze System for 1" Glazing



1200 Washington Street  
Rockwall, Texas 75087  
972-771-7100  
800-668-1645 Fax 972-722-6033  
www.ccbpwin.com  
sales@ccbwin.com